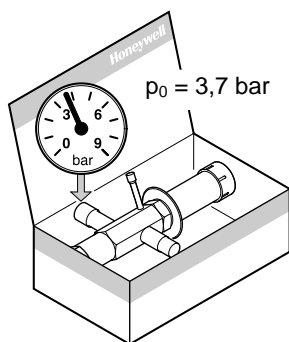
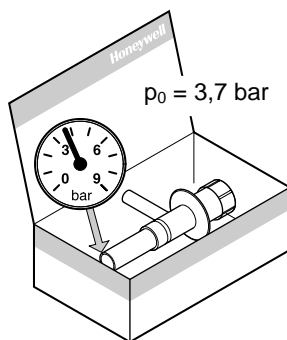
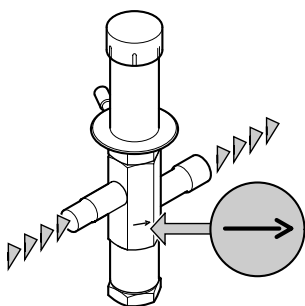
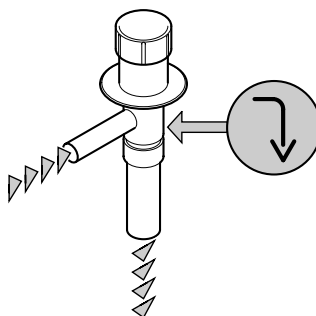


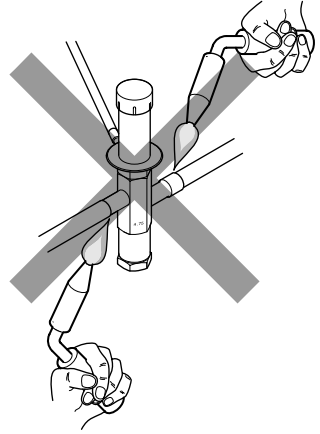
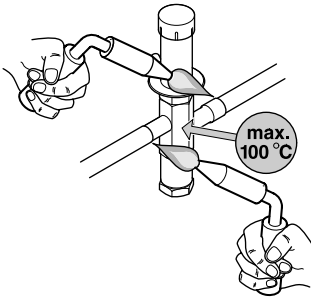
HLEX / CVC

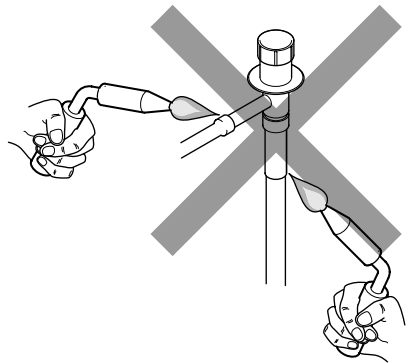
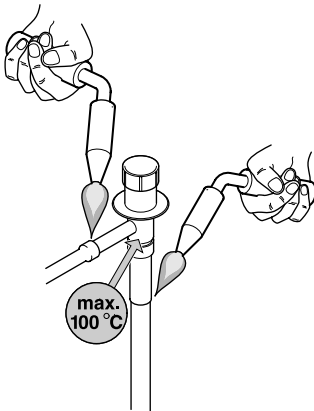
Einbau-Anleitung • Installation instructions
Instructions de montage

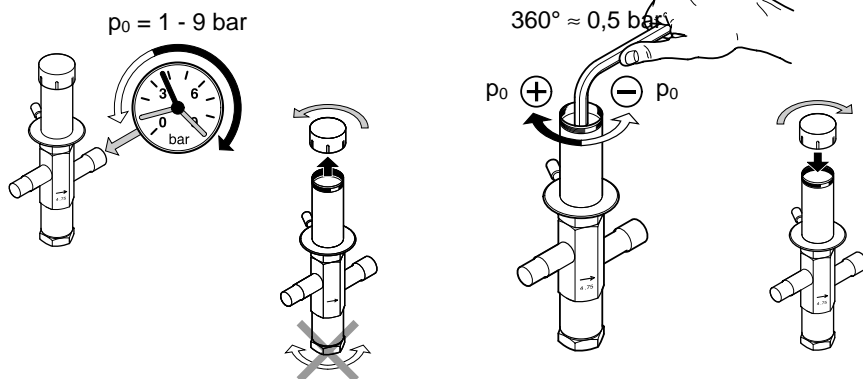
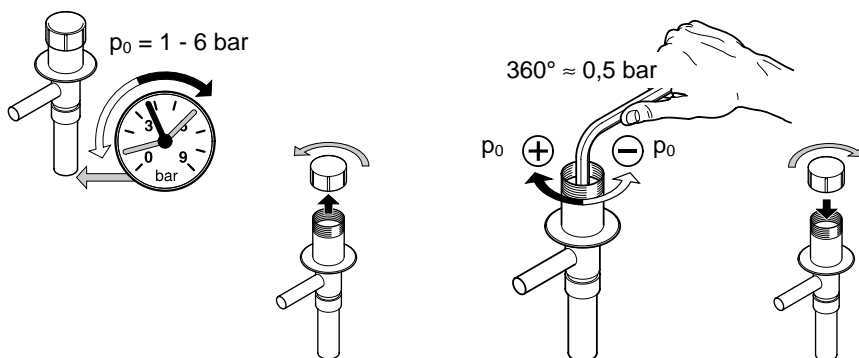


Heißgas-Bypass-Regler
Hot gas bypass regulator
Régulateur à dérivation de gaz chaud

1**HLEX****CVC****2****HLEX****CVC****§ EN 378****PS = max. 29 bar****p_{test} = max. 32 bar**

3**HLEX**

CVC

4**HLEX $p_0 \neq 3,7$ bar****CVC $p_0 \neq 3,7$ bar****Honeywell****Automation and Control Solutions**

Honeywell GmbH

Hardhofweg • 74821 Mosbach / Germany

Phone: +49 (0) 62 61 / 81-475

Fax: +49 (0) 62 61 / 81-461

E-Mail: Cooling.Mosbach@honeywell.comwww.honeywell-cooling.com

Manufactured for and on behalf of the
 Environment and Combustion Controls
 Division of Honeywell Technologies Sàrl,
 Ecublens, Route du Bois 37, Switzerland
 by its authorised representative Honeywell GmbH